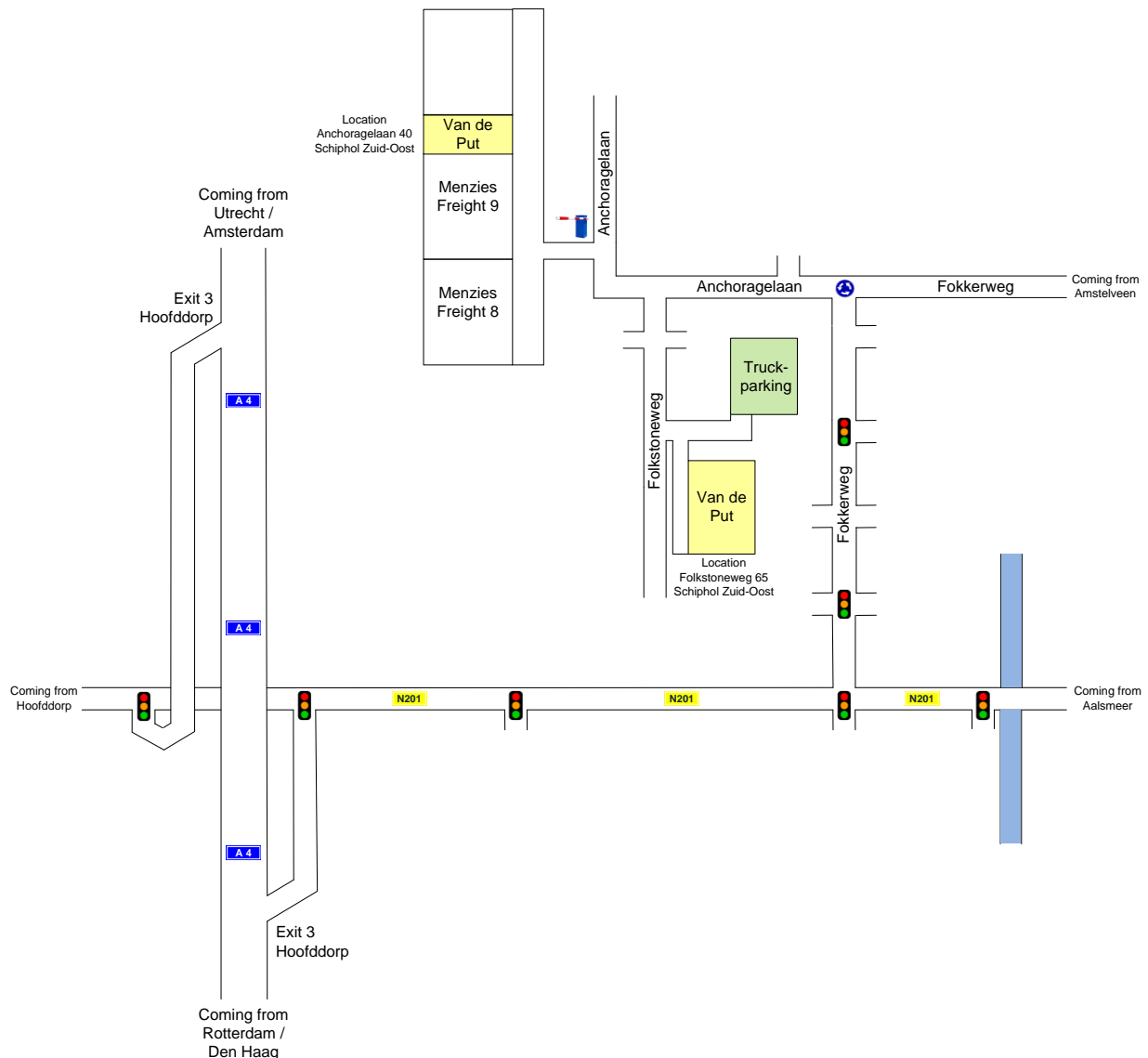


Directions



To Folkstoneweg (head office and 2nd-line warehouse)

Address: Folkstoneweg 65, Schiphol South-East, The Netherlands

From Utrecht or Amsterdam

You are coming on the A4 from Utrecht or Amsterdam. Take exit 3 (Hoofddorp). At the end of the exit, turn right at the traffic lights. You are now on the N201. Next, turn left onto Fokkerweg at the 3rd set of traffic lights. Keep following the Fokkerweg until you come to a roundabout, and turn left there (2nd exit) onto the Anchoragelaan. After 500 metres turn left onto the Folkstoneweg. After 400 metres you will see J. van de Put on your left-hand side.

From Rotterdam or The Hague

You are coming on the A4 from Rotterdam or The Hague. Take exit 3 (Hoofddorp). At the end of the exit, turn right at the traffic lights. You are now on the N201. Next, turn left onto the Fokkerweg at the 2nd set of traffic lights. Keep following the Fokkerweg until you come to a roundabout, and turn left there (2nd exit) onto the Anchoragelaan. After 500 metres turn left onto the Folkstoneweg. After 400 metres you will see J. van de Put on your left-hand side.

N.B. Adjacent to the Folkstoneweg warehouse there is a parking for trucks.

To Freight 9 (1st-line cargo warehouse)

Address: Anhoragelaan 40, Schiphol South-East, The Netherlands

From Utrecht or Amsterdam

You are coming on the A4 from Utrecht or Amsterdam. Take exit 3 (Hoofddorp). At the end of the exit, turn right at the traffic lights. You are now on the N201. Next, turn left onto Fokkerweg at the 3rd set of traffic lights. Keep following the Fokkerweg until you come to a roundabout, and turn left there (2nd exit) onto the Anhoragelaan. Keep following Anhoragelaan. After 600 metres turn right. Then, after 100 metres, turn left and report to the security staff manning the barrier. You will need to prove your identity here using a passport, identity card or driving licence.

Once through the barrier, turn right. After 200 metres J. van de Put is on your left-hand side (dock 53 to 58).

From Rotterdam or The Hague

You are coming on the A4 from Rotterdam or The Hague. Take exit 3 (Hoofddorp). At the end of the exit, turn right at the traffic lights. You are now on the N201. Next, turn left onto the Fokkerweg at the 2nd set of traffic lights. Keep following the Fokkerweg until you come to a roundabout, and turn left there (2nd exit) onto the Anhoragelaan. Keep following Anhoragelaan. After 600 metres turn right. Then after 100 metres turn left and report to the security staff manning the barrier. You will need to prove your identity here using a passport, identity card or driving licence.

Once through the barrier, turn right. After 200 metres J. van de Put is on your left-hand side (dock 53 to 58).